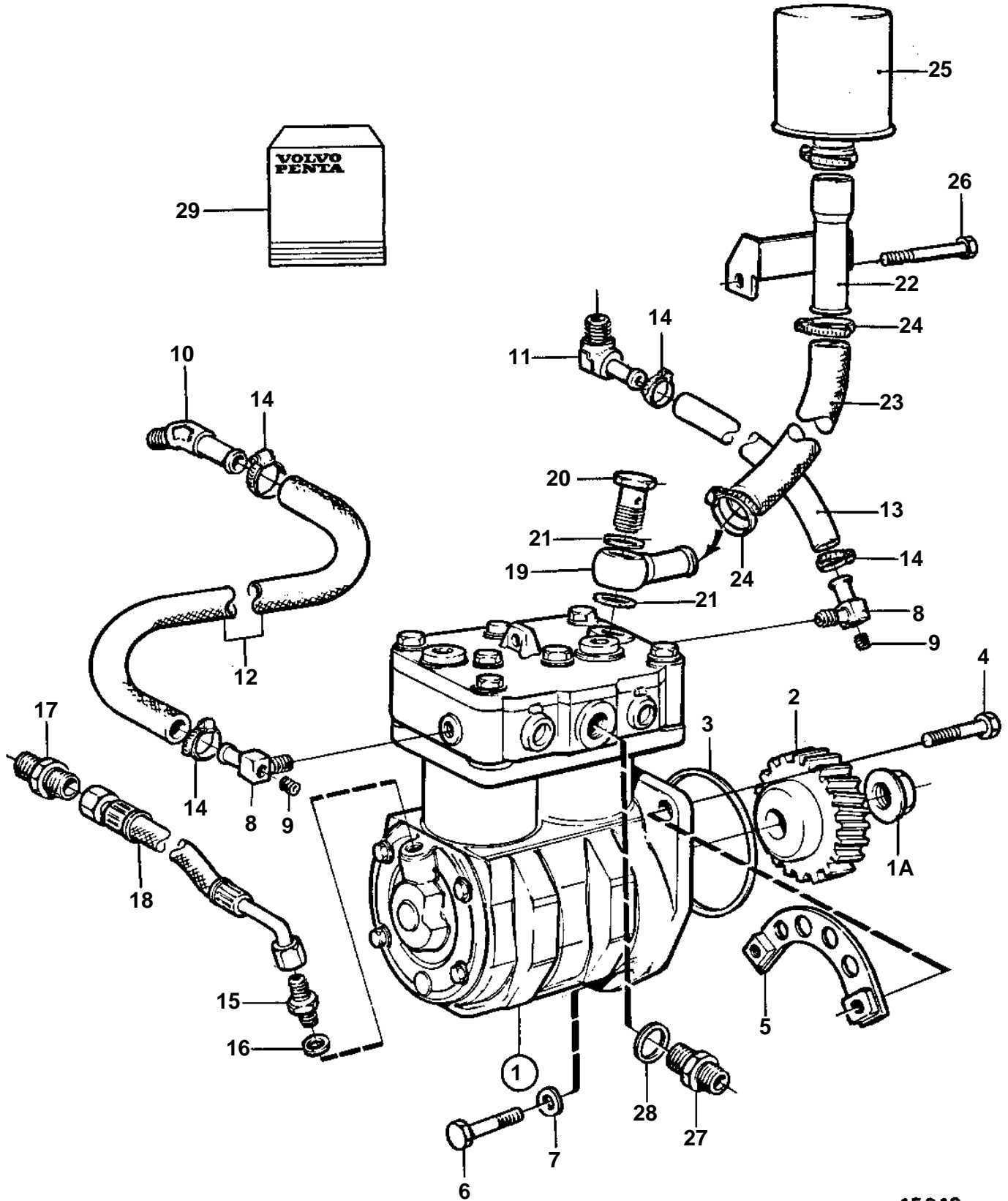


TAD1630V, TWD1630V



15812

TAD1630V, TWD1630V

REF	PART NO.	QTY	DESCRIPTION	NOTES
1	1626060	1	Compressor	
	3803405	1	Compressor, exch	Exchange unit
1A		1	· Nut	
			· Remaining comps.not spec	
2	1543950	1	Gear	
3		1	O-ringtiming gear cover	SEE GROUP 21
4		2	Screwtiming gear cover	SEE GROUP 21
5	1543902	1	Nut plate	
6	970996	1	Screw	
7	941911	1	Spring washer	
8	866161	2	T-nipple	
9	968060	2	Plug	
10	941534	1	Elbow nipple	
11	961604	1	Hose nipple	
12	941522	X	Hose	L=250mm
13	941522	X	Hose	L=930mm
14	943472	4	Hose clamp	
15	963947	1	Nipple	
16	957173	1	Gasket	
17	977641	1	Nipple	
18	977237	1	Hose	
19	1598185	1	Nipple	
20	191620	1	Hollow screw	
21	957189	2	Gasket	
22	1094583	1	Bracket	
23	967553	X	Hose	L=320mm
24	943474	2	Hose clamp	
25	8152010	1	Air filter	
26		1	Screwtiming gear cover	
27	941582	1	Nipple	
28	947628	1	Gasket	
29	276183	1	Gasket kit, air compressor	